



BELLA
6 elements, height 875 mm, length 532 mm. Satin Stainless Steel finish (cod. AS).



Technical features:

- stainless steel towel radiator
- horizontal tubes 25 mm diameter
- lateral manifolds 25 mm diameter
- 1/2" Gas right threading
- maximum working pressure 15 bar
- maximum working temperature 95°C

Price included:

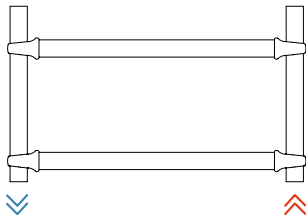
- 2 pcs Elbow-type design valve fitting 1/2" connection thread on the radiator's manifold
- 2 pcs 15 mm copper tube connection kit
- 2 pcs 1/2" M eccentric tube, to suit the 15 mm valve copper connection, complete with wall cover to hide the pipe fittings
- 2 pcs wall bracket matching radiator's colour/finishing
- 1 air vent valve
- 1 blind plug

Finishes available

Surcharge

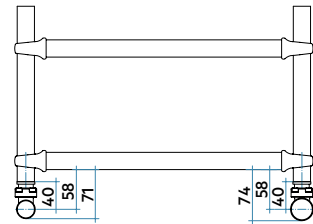
Standard White Stainless Steel (cod. 01)
 Chrome-plated (cod. 50)
 Brushed Copper (cod. 5F)
 Satin Nickel (cod. 6E)

Standard Connections



Laterals

Connection dimensions with IRSAP valves



Available finishes:
Tube Chrome-plated finish (cod. 50);
Ring Chrome-plated finish.



Available finishes:
Tube Standard White finish (cod. 01);
Ring Chrome-plated finish.

Finishes only for Bella



Standard White Cod. 01
FINISHES



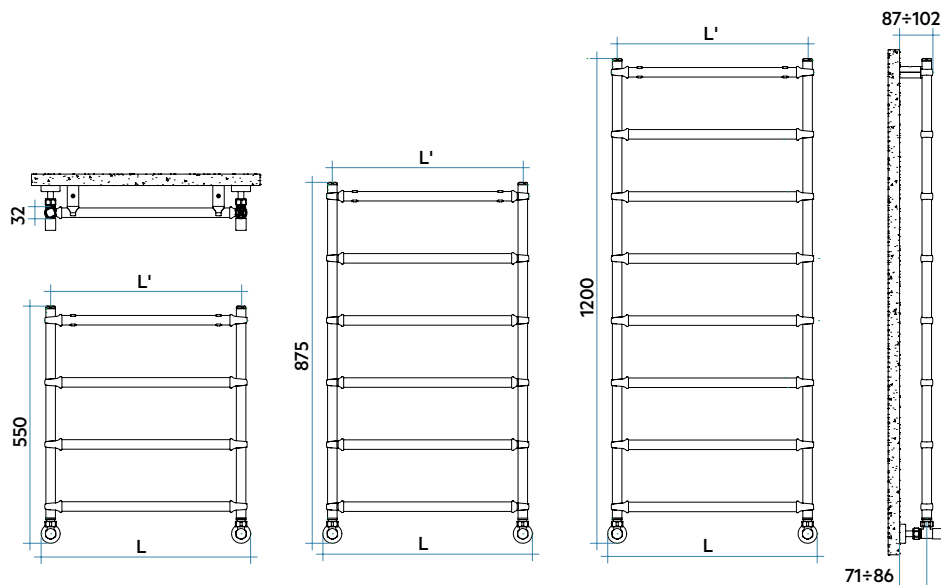
Chrome-plated Cod. 50
FINISHES



Brushed Copper Cod. 5F
FINISHES



Satin Nickel Cod. 6E
FINISHES



Chrome-plated - Chrome-plated / Brushed Copper - Brushed Copper / Satin Nickel - Satin Nickel

Model	Code	Depth P mm	Height H mm	Width		Con. Centre L' mm	Weight Kg	Cap. lt	Thermal Power				Exp. n.
				L mm	L' mm				Δt=50°C Btu/h	Δt=50°C Watt	Δt=40°C Watt	Δt=30°C Watt (*)	
623 4 rails	BES043 B XX IR 01 NNN	32	550	432	400	3,2	0,9	396	116	87	60	36	1,280
	BES053 B XX IR 01 NNN	32	550	532	500	3,4	1,1	450	132	99	69	41	1,270
	BES063 B XX IR 01 NNN	32	550	632	600	3,6	1,2	488	143	108	75	45	1,261
948 6 rails	BEP043 B XX IR 01 NNN	32	875	432	400	4,9	1,4	536	157	119	84	51	1,230
	BEP053 B XX IR 01 NNN	32	875	532	500	5,2	1,6	607	178	135	95	57	1,234
	BEP063 B XX IR 01 NNN	32	875	632	600	5,6	1,9	655	192	146	102	62	1,238
1273 8 rails	BEM043 B XX IR 01 NNN	32	1200	432	400	6,6	1,9	676	198	149	103	61	1,277
	BEM053 B XX IR 01 NNN	32	1200	532	500	7,1	2,2	764	224	169	117	70	1,276
	BEM063 B XX IR 01 NNN	32	1200	632	600	7,6	2,5	826	242	182	126	75	1,275

White / Chrome-plated

Model	Code	Depth P mm	Height H mm	Width		Con. Centre L' mm	Weight Kg	Cap. lt	Thermal Power				Exp. n.
				L mm	L' mm				Δt=50°C Btu/h	Δt=50°C Watt	Δt=40°C Watt	Δt=30°C Watt (*)	
623 4 rails	BES043 B 01 IR 01 NNN	32	550	432	400	3,2	0,9	515	151	113	78	47	1,280
	BES053 B 01 IR 01 NNN	32	550	532	500	3,4	1,1	585	172	129	90	54	1,270
	BES063 B 01 IR 01 NNN	32	550	632	600	3,6	1,2	634	186	140	98	59	1,261
948 6 rails	BEP043 B 01 IR 01 NNN	32	875	432	400	4,9	1,4	696	204	155	109	66	1,230
	BEP053 B 01 IR 01 NNN	32	875	532	500	5,2	1,6	790	231	176	123	75	1,234
	BEP063 B 01 IR 01 NNN	32	875	632	600	5,6	1,9	852	250	189	133	80	1,238
1273 8 rails	BEM043 B 01 IR 01 NNN	32	1200	432	400	6,6	1,9	878	257	194	134	80	1,277
	BEM053 B 01 IR 01 NNN	32	1200	532	500	7,1	2,2	994	291	219	152	90	1,276
	BEM063 B 01 IR 01 NNN	32	1200	632	600	7,6	2,5	1073	315	237	164	98	1,275

(*) Thanks to the high performance of Irsap BELLA radiators, the ideal Δt for low temperature projects is Δt at 30°C.

For Δt different from 50°C use the formula: $Q=Q_n (\Delta t / 50)^n$

Key Codes

Finish code option: **50** for Chrome-plated finish; **5F** for Brushed Copper finish; **6E** for Satin Nickel finish.

Width: **BE S 043 B**

Height: **01**

Packing code: **XX**

Standard hydraulic code connection: **IR 01**

Standard White colour code: **NNN**



Detail of the standard series valve in chrome-plated version supplied with BELLA radiators.

